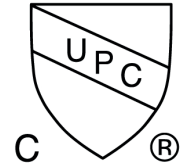


EVOLUX LINEAR

Description: Stainless steel drainage channel and grate.

Installation: For the construction of tiled showers, whether for domestic or public use.

Normative References: ASME A112.18.2; IAMPO File Number 10294



References:

REF.	DESCRIPTION	SIZE	MODEL
IDU3116	LINEAR DRAIN & STRAINER	16"	LISA
IDU3124	LINEAR DRAIN & STRAINER	24"	LISA
IDU3128	LINEAR DRAIN & STRAINER	28"	LISA
IDU3136	LINEAR DRAIN & STRAINER	36"	LISA
IDU3148	LINEAR DRAIN & STRAINER	48"	LISA
IDU3160	LINEAR DRAIN & STRAINER	60"	LISA

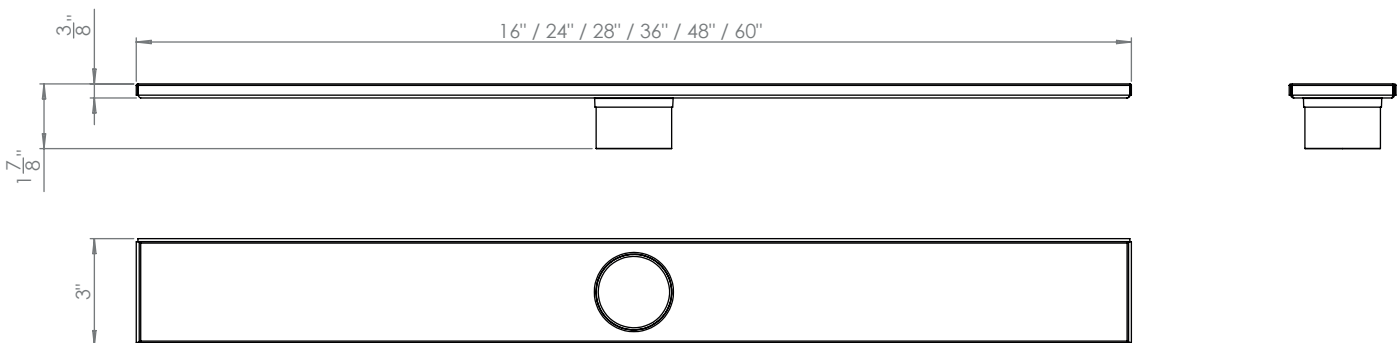
REF.	DESCRIPTION	SIZE	MODEL
IDU3216	LINEAR DRAIN & STRAINER	16"	PLUS
IDU3224	LINEAR DRAIN & STRAINER	24"	PLUS
IDU3228	LINEAR DRAIN & STRAINER	28"	PLUS
IDU3236	LINEAR DRAIN & STRAINER	36"	PLUS
IDU3248	LINEAR DRAIN & STRAINER	48"	PLUS
IDU3260	LINEAR DRAIN & STRAINER	60"	PLUS

IDU3516	LINEAR DRAIN & STRAINER	16"	INTEGRA
IDU3524	LINEAR DRAIN & STRAINER	24"	INTEGRA
IDU3528	LINEAR DRAIN & STRAINER	28"	INTEGRA
IDU3536	LINEAR DRAIN & STRAINER	36"	INTEGRA
IDU3548	LINEAR DRAIN & STRAINER	48"	INTEGRA
IDU3560	LINEAR DRAIN & STRAINER	60"	INTEGRA

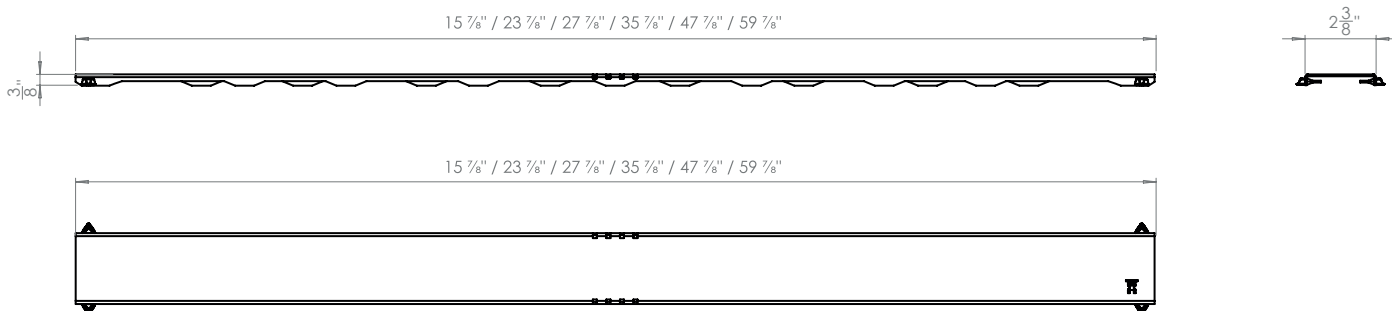
IDU3324	LINEAR DRAIN & STRAINER	24"	ZEN
---------	-------------------------	-----	-----

TECHNICAL DRAWINGS:

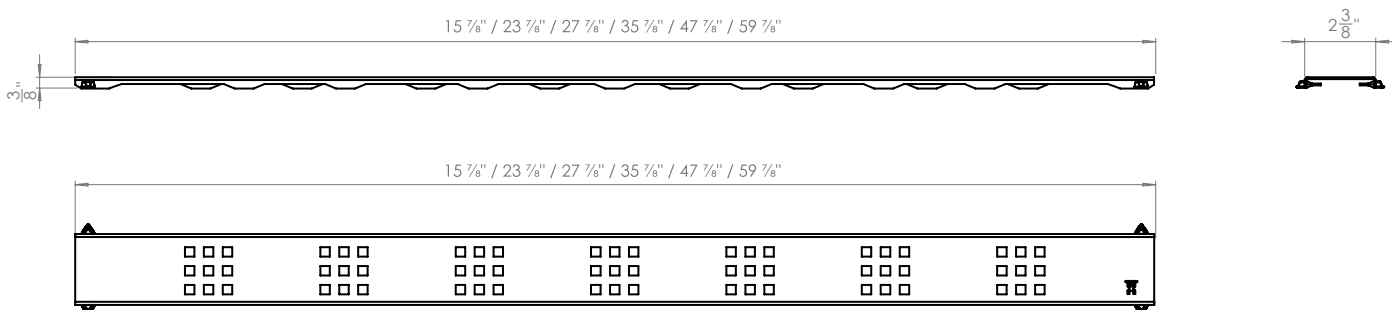
EVOLUX LINEAR DRAIN



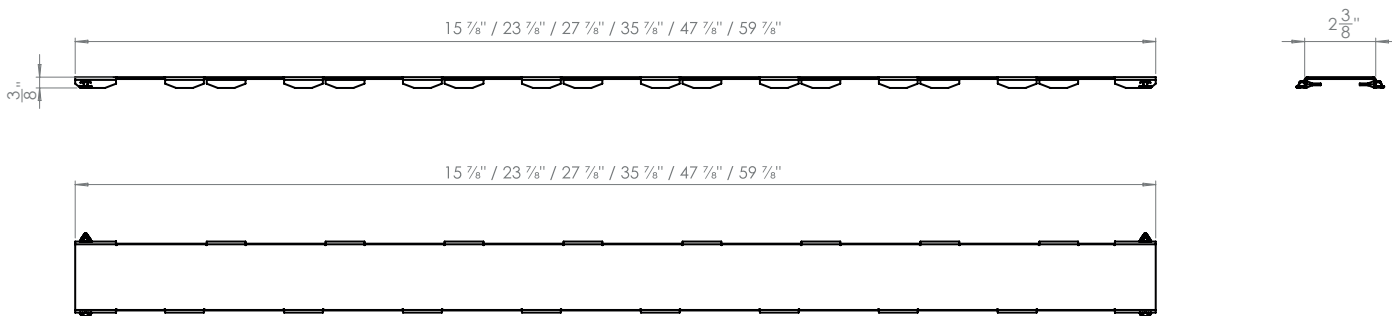
EVOLUX STRAINER LISA



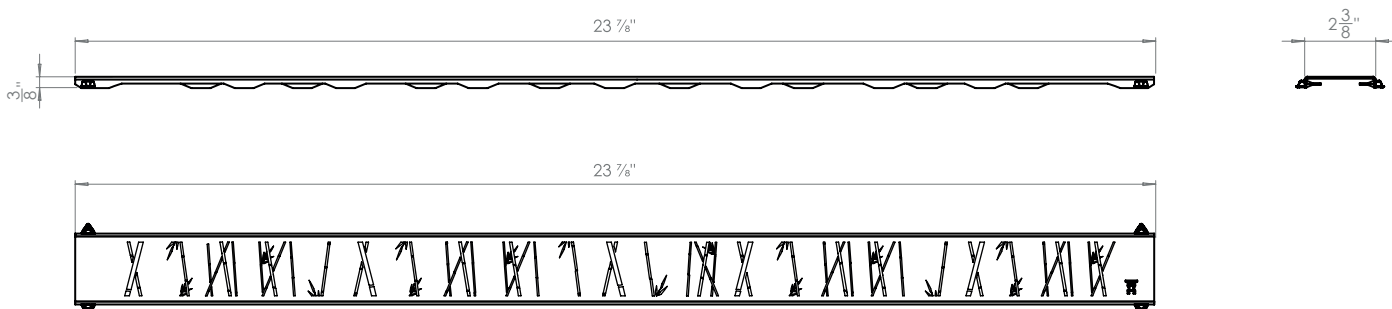
EVOLUX STRAINER PLUS



EVOLUX STRAINER INTEGRA



EVOLUX STRAINER ZEN



Included elements

- DRAIN: Low profile drain 3/8" height made of marine grade stainless steel, 16 gauges.
- ADAPTER: A push-in resilient connection for the most common clamping ring shower drains.
- HAIR STRAINER: Premium ABS hair-strainer included.

Materials

High mechanical stresses pose minimal challenge to the resilience of stainless steel, rendering it highly suitable for applications demanding resistance against chemicals and acids. In cases of more intense chemical exposure, like de-icing salts and swimming pool chemicals, opting for stainless steel 316 L is advisable, as it boasts superior corrosion resistance compared to its counterpart, 304. However, it's crucial to acknowledge that stainless steel, despite its commendable attributes, falls short in the face of certain chemical exposures, such as hydrochloric acid, hydrofluoric acid, or specific chlorine, chloride, and brine concentrations.

Grates featuring a metallic coating utilize stainless steel 316 as their base, undergoing a process of physical vapor deposition (PVD) to yield an exceptionally durable and corrosion-resistant metallic film.

As for textured color-coated grates, they are forged from stainless steel and finished with a protective powder coat. In a parallel manner, textured color-coated shelves are composed of aluminum and adorned with a powder finish. Renowned for its color stability, UV resistance, and suitability for outdoor usage, this coating necessitates the vigilant protection of the profile against abrasion or scratching to ensure sustained longevity.

Maintenance

Ensuring the longevity and optimal performance of EVOLUX LINEAR DRAIN & STRAINER is remarkably hassle-free, as these products demand no specialized maintenance and exhibit resistance to mold and fungi. When necessary, the drain grates can be effortlessly removed for the cleaning of both the drain housing and pipes.

For routine cleaning of the grates and profiles, utilize neutral cleaners to preserve their integrity. It is imperative to steer clear of potent acids (such as hydrochloric or hydrofluoric) and strong bases or alkaline cleaners (including bleach, ammonia, and chlorides). Avoid abrasive cleaning agents and tools to prevent any potential damage.

Even stainless steel, renowned for its durability, benefits from periodic cleaning. This not only sustains a pristine appearance but also mitigates the risk of corrosion. Applying a chrome-polishing agent imparts a subtle sheen to stainless steel surfaces, contributing to their overall aesthetic appeal.