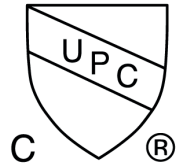


## 3/4" PIPE SEAL

**Description:** Reinforcements to complete safely the waterproofing.

**Installation:** To seal around inlet and outlet pipes.

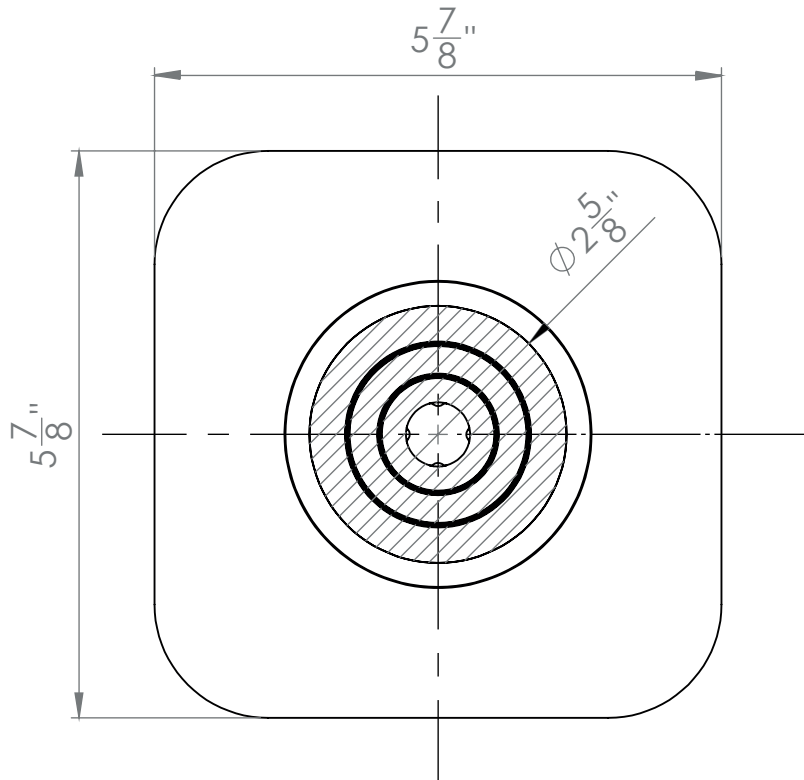
**Normative References:** ANSI A118.10, ANSI A118.12, TCNA Handbook; Uniform Plumbing Code (UPC®) and National Plumbing Code of Canada.  
IAPMO Listed Product File Number 9205 and 9990.



**References:**

REF.	DESCRIPTION	MEASURE
IGU6004	3/4" PIPE SEAL	5 7/8" x 5 7/8"

**TECHNICAL DRAWINGS:**



## Test results

PROPERTY	TEST METHOD	VALUE
Seam Strength	ASTM D 751	24 lbs./in.
Breaking Strength Transverse	ASTM D 751 Proc. B	1420 psi
Breaking Strength Longitudinal	ASTM D 751 Proc. B	1160 psi
Dimensional Stability	ASTM D 1204	±0.2%
Waterproofness	ASTM D 4068	Pass
Water Vapor Transmission	ASTM E96 Proc. E	0.3 Perm
Crack Resistance	ANSI 118.12	Rated Standard Performance
Service Requirement	ASTM C627-10	Rated Light commercial (TCNA)
Shear Strength		
7- Day Dry	ASTM C482	119 psi
7- Day Water Immersion		83 psi
4- Week		133 psi
12- Week		138 psi
100- Day Water Immersion		85 psi
Resistance to temperature		-22°F / +176°F
Total thickness (approximate)	EN 1849-2	20 mils

## Checks during production and/or on the finished product:

System 2+ of assessment and verification of constancy of performance according to Directive 89/106/CEE.

Checks on every production batch:

- Water penetration resistance
- Traction properties: tearing, elongation and tensile stress
- Geotextile adherence
- Visible defects, length, width and weight