

REVOLUX DRAINS

DESCRIPTION: Adjustable shower drain channel crafted from premium 6063-T6 aircraft grade aluminum that can be tailored to the desired length.

NORMATIVE REFERENCES: A112-18-2CSA-B125-2_2020, IAPMO PS 106

REFERENCES:

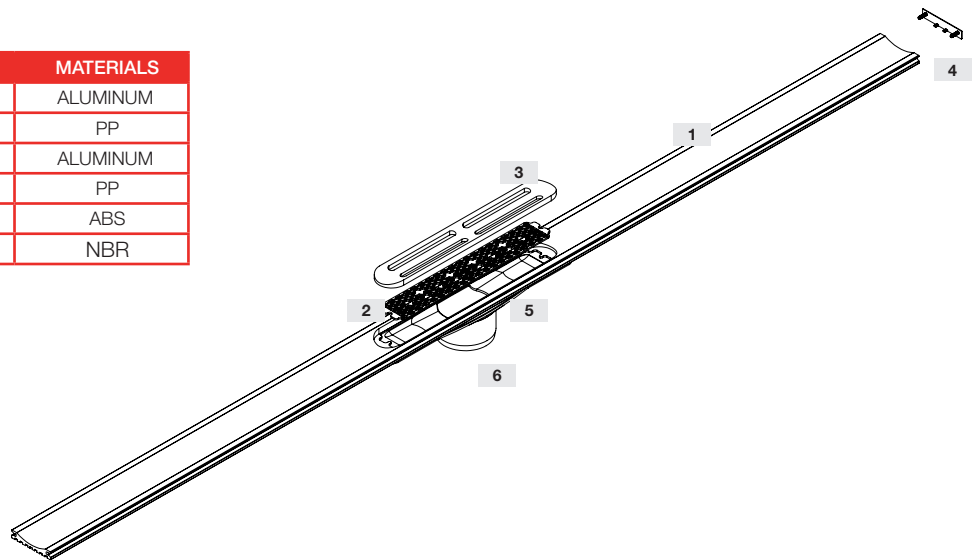
CODE	MODEL	COLOR	SIZE
IDU2148	Cavity	Chrome	48"
IDU2248	Cavity	Black	48"
IDU2348	Cavity	Nickel	48"
IDU2448	Cavity	Golod	48"
IDU2548	Cavity	Rose	48"
IDU2178	Cavity	Chrome	78"
IDU2278	Cavity	Black	78"
IDU2378	Cavity	Nickel	78"
IDU2478	Cavity	Golod	78"
IDU2578	Cavity	Rose	78"

CODE	MODEL	COLOR	SIZE
IDU1148	Curve	Chrome	48"
IDU1248	Curve	Black	48"
IDU1348	Curve	Nickel	48"
IDU1448	Curve	Golod	48"
IDU1548	Curve	Rose	48"
IDU1178	Curve	Chrome	78"
IDU1278	Curve	Black	78"
IDU1378	Curve	Nickel	78"
IDU1478	Curve	Golod	78"
IDU1578	Curve	Rose	78"

SYSTEM COMPONENTS:

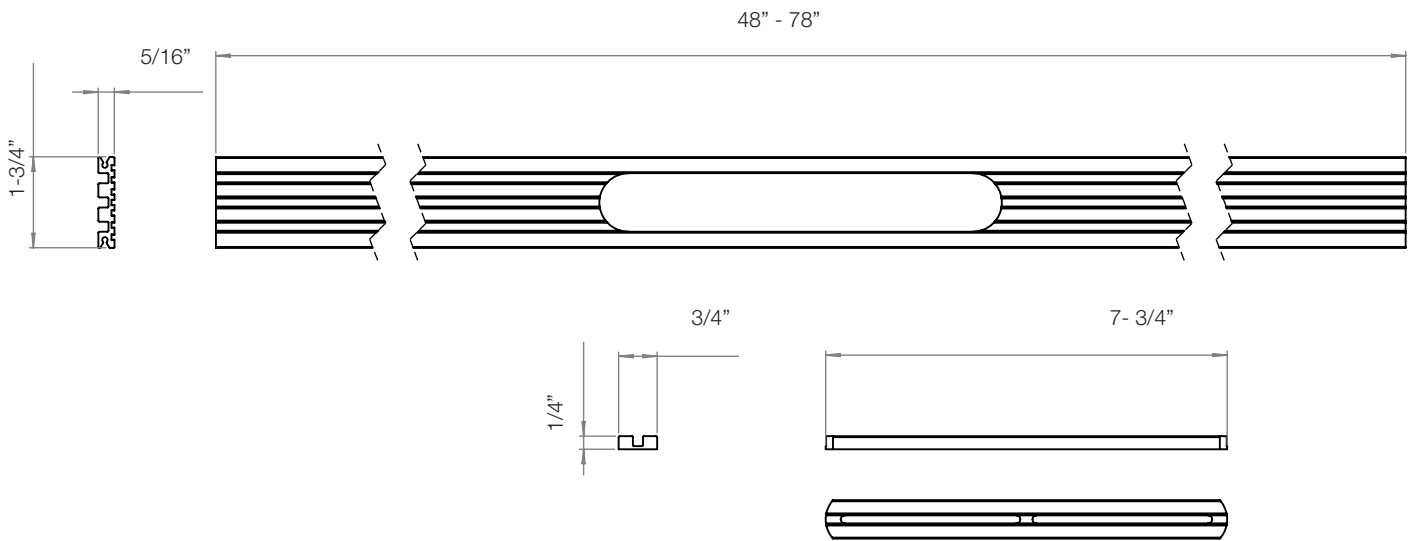
COMPONENTS	MATERIAL	SIZE
Curve / Cavity Grids (Length x Width x Height):	Aluminum 6063 - 25 microns anodized	48"/78" x 1-3/4" x 5/16"
Grate Curve		7-3/4" x 1-1/8" x 1/4"
Grate Cavity		7-3/4" x 3/4" x 1/4"
Conector	ABS	DN/DI 50
Hairs strainer	PP	-
Cover		-
Gasket	NBR	-

PIECE	DESCRIPTION	MATERIALS
1	GRID	ALUMINUM
2	HAIRS STRAINER	PP
3	GRATE	ALUMINUM
4	COVER	PP
5	SLEEVE	ABS
5	GASKET	NBR

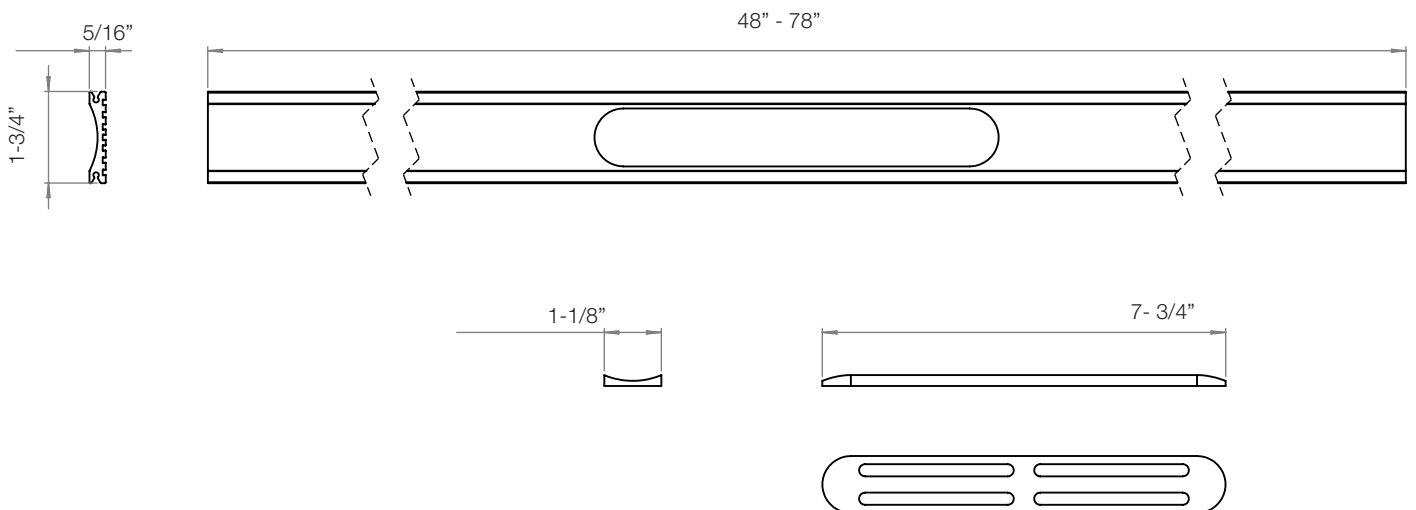


TECHNICAL DRAWINGS:

CAVITY



CURVE



INSTALLATION SECTION:

